

	Jiande Xuheng Metal Products Co.,Ltd	DRAWN	
TITLE	G2 STEEL FLANGE	CHKD	QC Dept
DATE	20-01-07	APPD	
REV. 3.1		SCALE	1:1
This specification is confidential. Copy to third party is not allowed.			

PRODUCT DATA SHEET

General Information and Features

G2 STEEL FLANGE

Manufactured in compliance with ISO-15750-3

Thread comply with ISO-228

Material Cold Rolled Steel Sheet

Thickness 2.0 mm, 2.1mm

Size G2 (50mm)

Gasket NBR, EPDM, PE, Dual

Surface Zinc Plated in Chrome 3 or Chrome 6 or Lacquered

Packaging Information

Unit	Unit/Carton	Carton Weight	Carton Size
G2 Steel Flange	250 pcs	18.4 kg	365*365*215 mm

Carton boxes are placed on wooden pallets

Pallets are stretch film wrapped and edged board protected

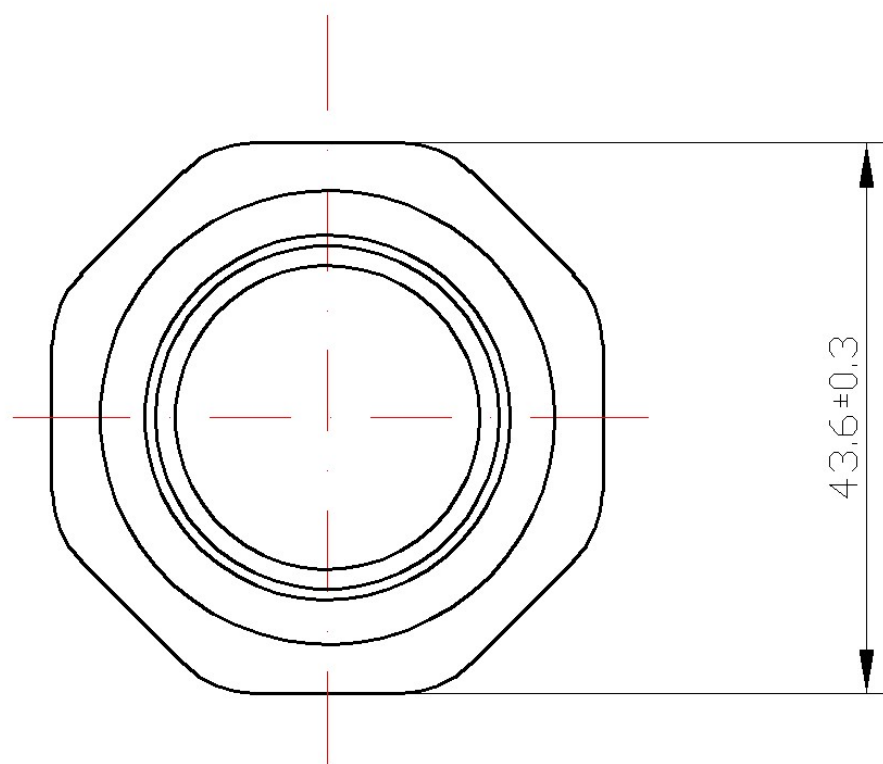
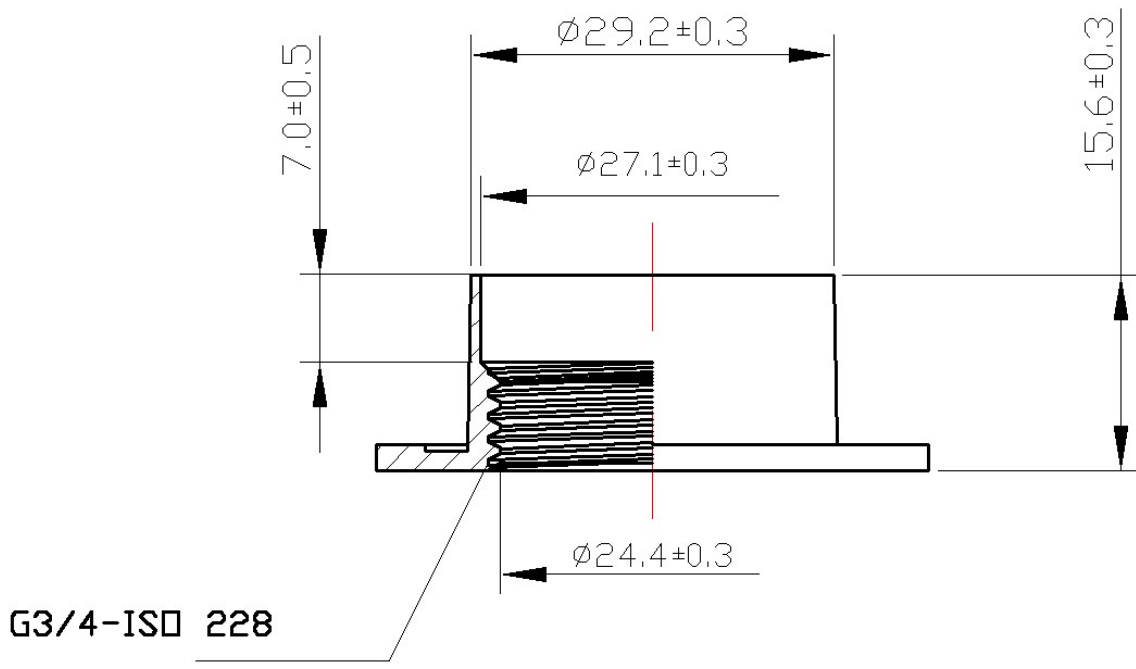


drumclosure.com

Comments

Certain specifications can be customized under request

Flange riveting single shot mould is available for flange installation on lid



	Jiande Xuheng Metal Products Co.,Ltd	DRAWN	
TITLE	G3/4 STEEL FLANGE	CHKD	QC Dept
DATE	20-01-07	APPD	
REV. 3.1		SCALE	1:1
This specification is confidential. Copy to third party is not allowed.			

PRODUCT DATA SHEET

General Information and Features

G2 STEEL FLANGE

Manufactured in compliance with ISO-15750-3

Thread comply with ISO-228

Material Cold Rolled Steel Sheet

Thickness 2.0 mm, 2.1mm

Size G3/4 (20mm)

Gasket NBR, EPDM, PE, Dual

Surface Zinc Plated in Chrome 3 or Chrome 6 or Lacquered

Packaging Information

Unit	Unit/Carton	Carton Weight	Carton Size
G3/4 Steel Flange	500 pcs	15 kg	365*365*120 mm

Carton boxes are placed on wooden pallets

Pallets are stretch film wrapped and edged board protected

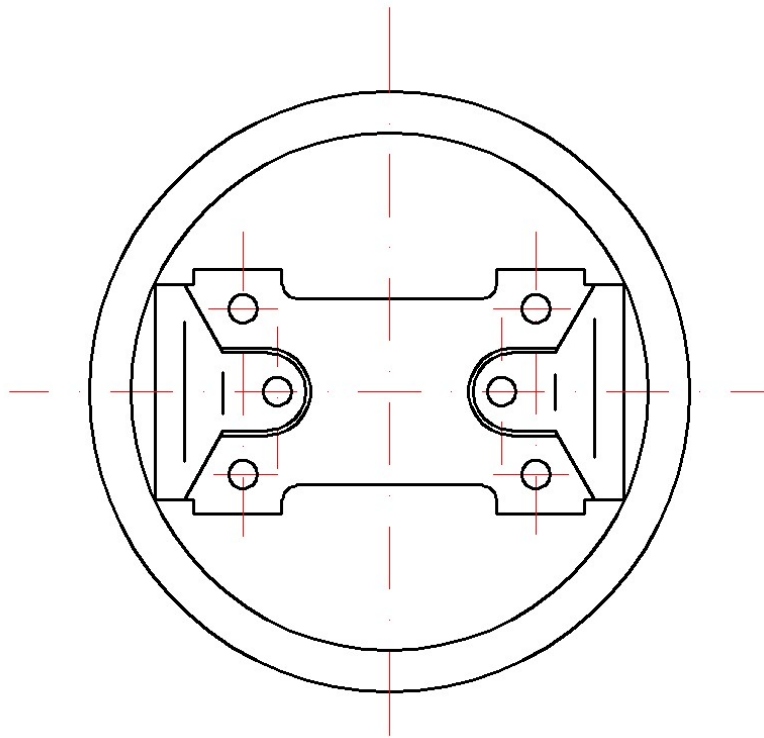
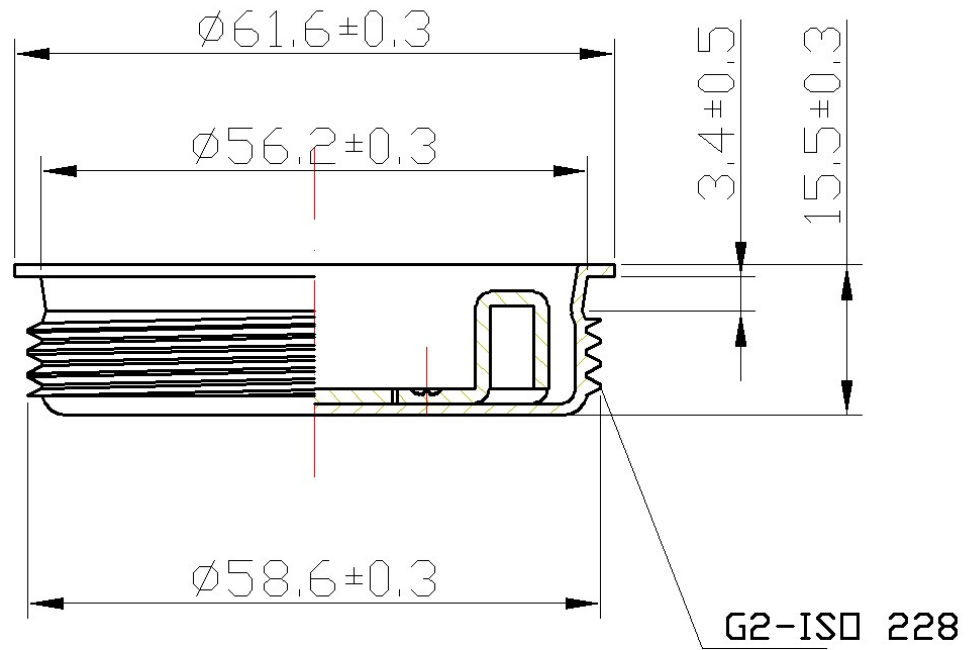



drumclosure.com

Comments

Certain specifications can be customized under request

Flange riveting single shot mould is available for flange installation on lid



	Jiande Xuheng Metal Products Co.,Ltd		DRAWN	
TITLE	G2 STEEL PLUG		CHKD	QC Dept
DATE	20-01-07	REV. 3.1	APPD	
This specification is confidential. Copy to third party is not allowed.			SCALE	1:1

PRODUCT DATA SHEET

General Information and Features

G2 STEEL FLANGE

Manufactured in compliance with ISO-15750-3

Thread comply with ISO-228

Material Cold Rolled Steel Sheet

Thickness 1.2 mm

Size G2 (50mm)

Gasket NBR, EPDM, PE, Teflon

Surface Zinc Plated in Chrome 3 or Chrome 6 or Lacquered

Packaging Information

Unit	Unit/Carton	Carton Weight	Carton Size
G2 Steel Plug	250 pcs	16.6 kg	365*365*150 mm

Carton boxes are placed on wooden pallets

Pallets are stretch film wrapped and edged board protected

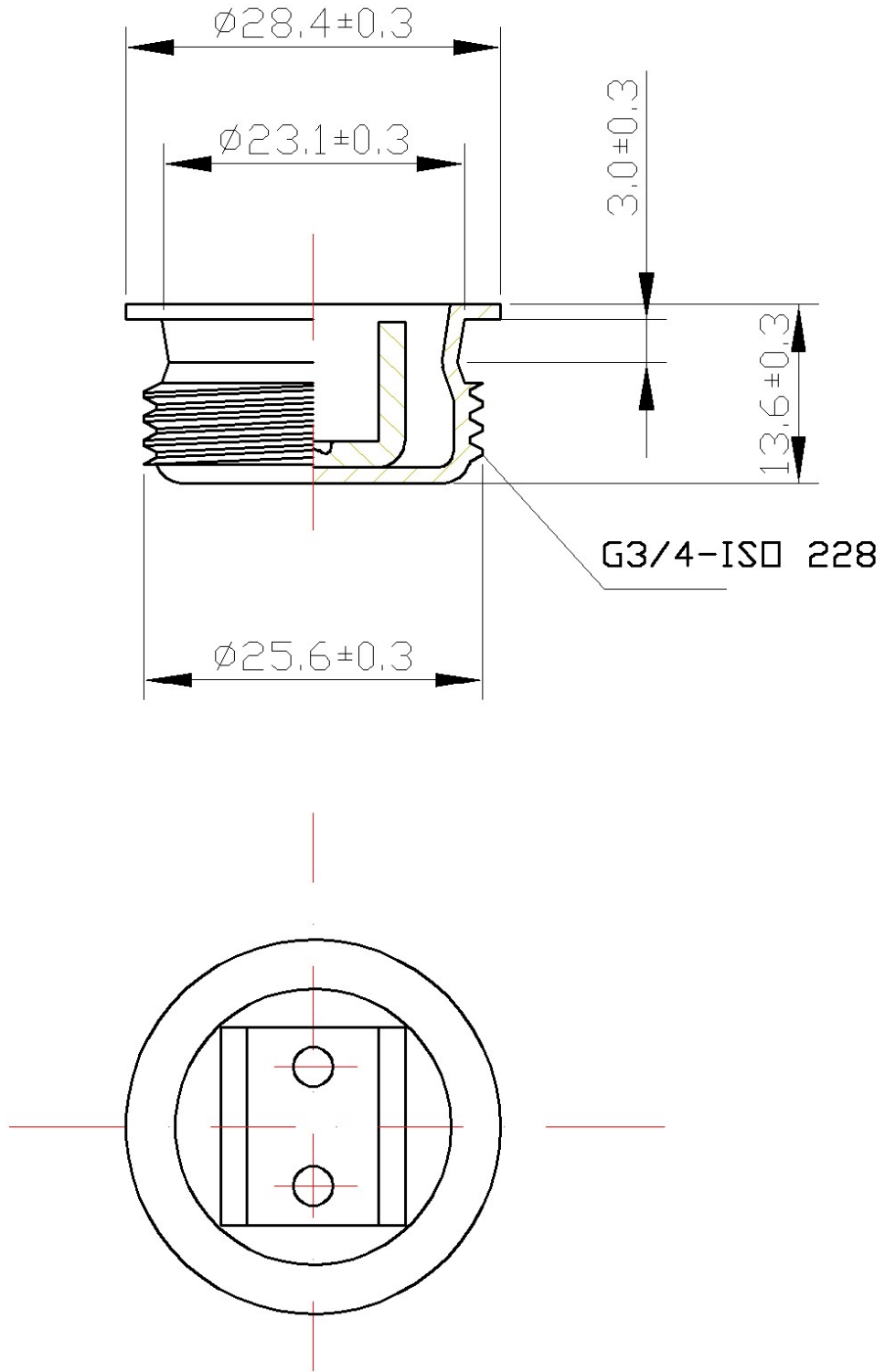



drumclosure.com

Comments

Accessory tool applied to the item is available

Certain specifications can be customized under request



	Jiande Xuheng Metal Products Co.,Ltd	DRAWN	
TITLE	G3/4 STEEL PLUG	CHKD	QC Dept
DATE	20-01-07	APPD	
REV. 3.1		SCALE	1:1
This specification is confidential. Copy to third party is not allowed.			

PRODUCT DATA SHEET

General Information and Features

G2 STEEL FLANGE

Manufactured in compliance with ISO-15750-3

Thread comply with ISO-228

Material Cold Rolled Steel Sheet

Thickness 1.2 mm

Size G3/4 (20mm)

Gasket NBR, EPDM, PE, Teflon

Surface Zinc Plated in Chrome 3 or Chrome 6 or Lacquered

Packaging Information

Unit	Unit/Carton	Carton Weight	Carton Size
G3/4 Steel Plug	1000 pcs	19.2 kg	365*365*105 mm

Carton boxes are placed on wooden pallets

Pallets are stretch film wrapped and edged board protected



drumclosure.com

Comments

Accessory tool applied to the item is available

Certain specifications can be customized under request